



Parabolic antenna JRMA - 650 -10 UPB

Antenna JRMA – 650 – 10 UPB is designed for microwave links at the frequency bands 10 GHz. Precise performance is complying with standard ETSI EN 302-217-4-2 class 2. Whole antenna system with bracket JDMW-900 has extreme wind stability.

Electrical parameters:

Frequency range	10.1 – 10.7 GHz
Gain	34.3 dBi
Beamwidth_{-3 dB}	3.4°
Return loss (VSWR)	≥ 18 dB (≤ 1,3)
Polarization	According to mounting unit - 2 x 45° or Vertical / Horizontal
ETSI standard	EN 302-217-4-2 v1.5.1 Class 2

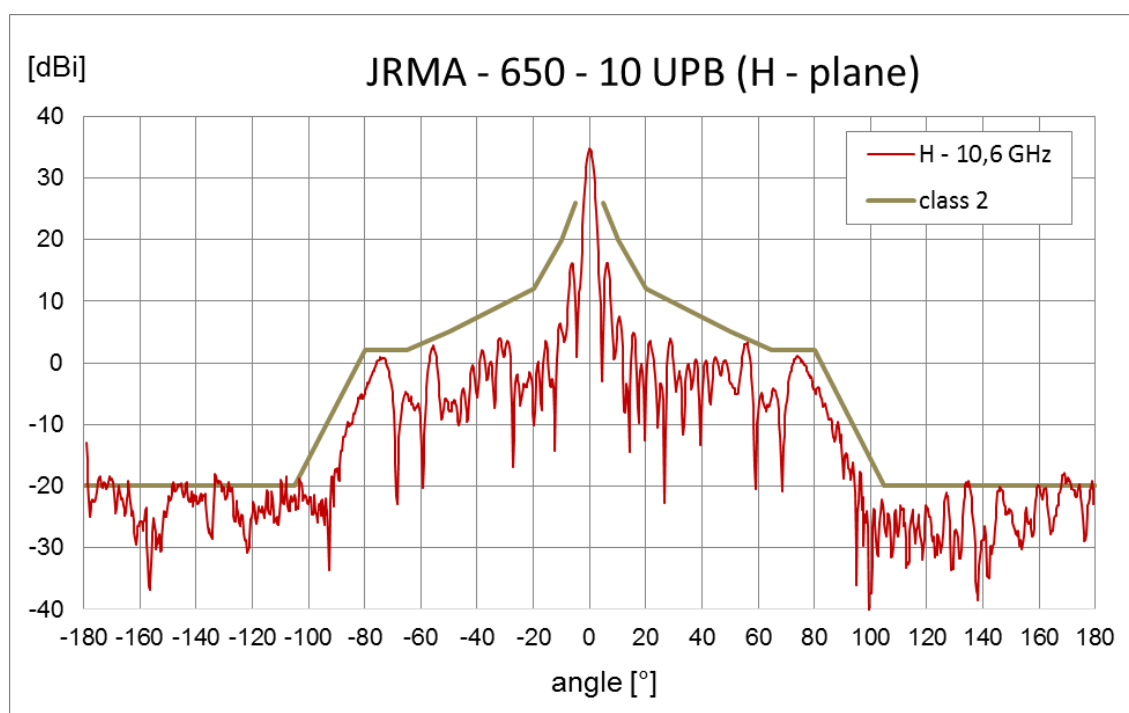
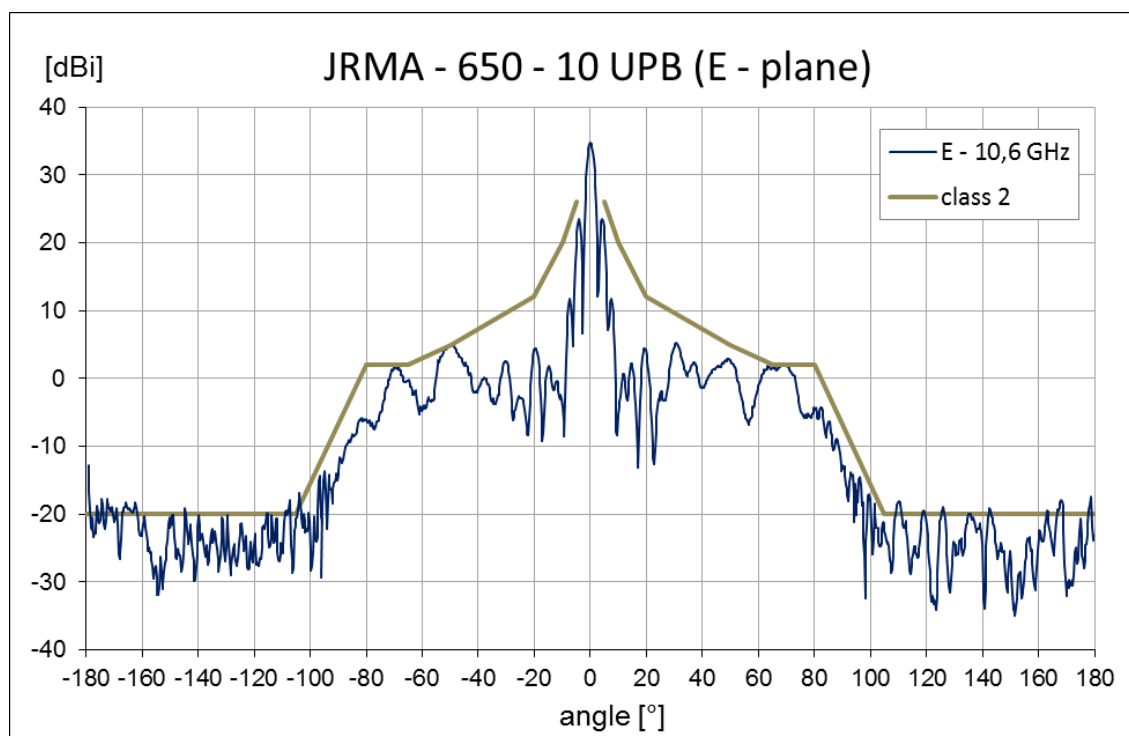
Mechanical parameters:

Parabola	∅ 650 mm, Aluminium alloy
Cover	UV steady plastic ABS
Input / output	Circle waveguide 19.5 mm Compatible with PowerBridge M10
Installation for mast	∅ 40 - 120 mm
Operating wind load	180 km/h
Survival wind load	240 km/h
Weight of antenna	9.7 kg (21.38 lbs.)
of bracket	3.5 kg (7.7 lbs.)
Shipping dimensions	790 mm x 790 mm x 515 mm

The antenna is supplied together with a bracket that allows easy mounting on a mast. Bracket can be installed separately on the mast. Subsequently, you can simply hang up the antenna with microwave unit into it. We recommend mounting on the mast with minimal ∅ 50 mm in the areas with the occurrence of the adverse weather conditions. Bracket allows fine setting elevation (of gradient) and azimuth ± 20°. It is possible to mount to right and left side.

Parabolic antenna JRMA - 650 - 10 UPB

Measurements of radiation pattern:



Parabolic antenna JRMA - 650 -10 UPB

Outline:

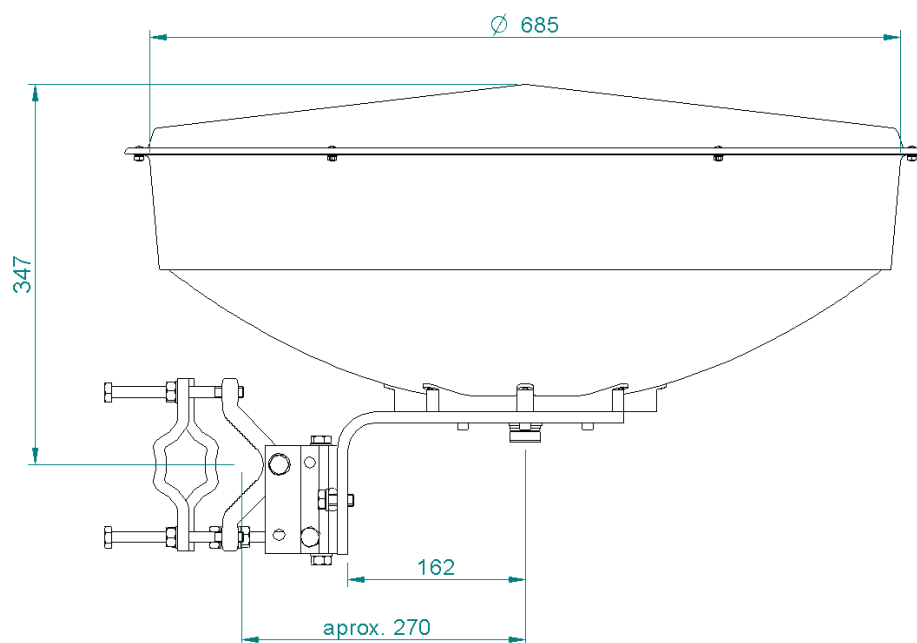


Fig. 1 Antenna dimensions

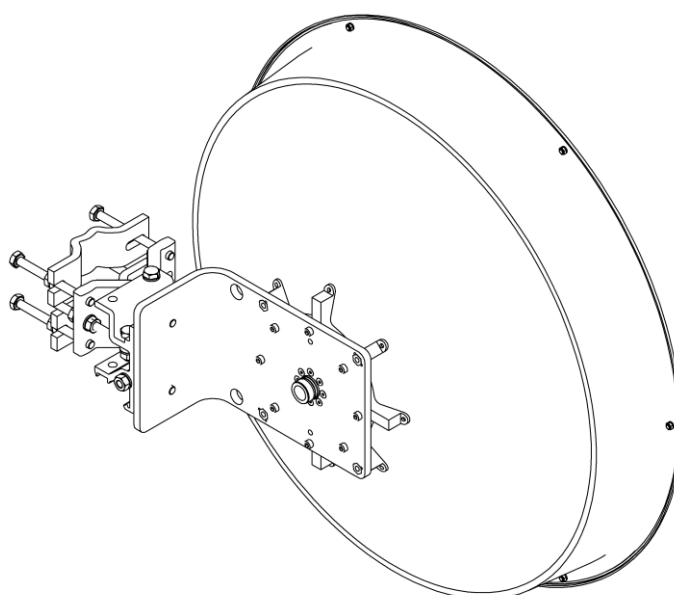


Fig. 2 Antenna with massive holder (back side)